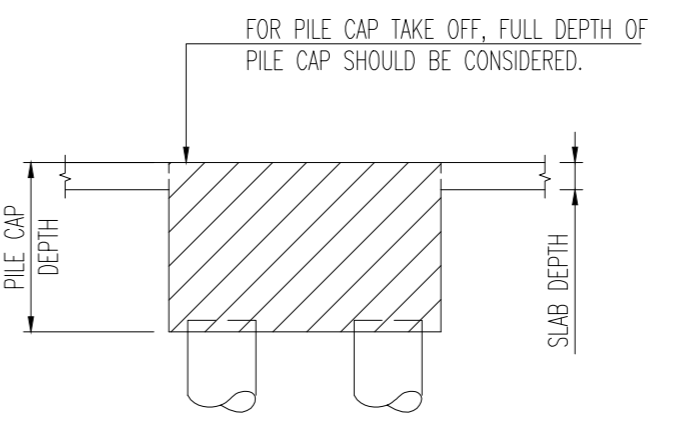


THIS DRAWING IS FOR TENDER PURPOSES AND SHOULD NOT BE USED FOR CONSTRUCTION

R.C (kg/m ³)	BAR SIZE	NOTES
175	H25/H32/H40	WATER RESISTANT CONCRETE IN LIFT PITS & TOP 300MM (RASCOR DETAILS O.S.A.)



Notes

DAY	15	DATE	
MONTH	04		
YEAR	25		
SCHEDULE		REVISION	
040003/01-07-01			

C.D.M.

SIGNIFICANT RISKS AND HAZARDS:

KEY DESIGN DECISIONS TO REDUCE OR ELIMINATE HAZARDS:

ANNOTATION OF LAYERS

P0115/04/25 MRC ISSUED FOR APPROVAL

Rev.	Date	By	Details Of Revision

Project

Title

Status

Drawn	MRC	AD Scales	AS SHOWN
Date	Eng.	Chk.	App'l.
			Suitability

Warning No.

Rev.